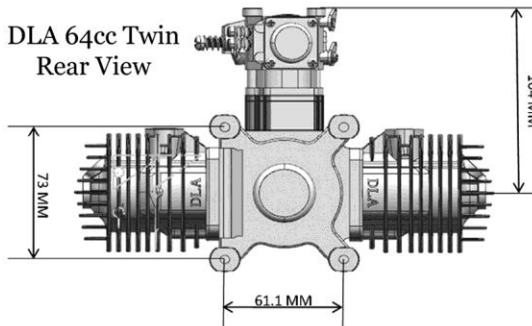
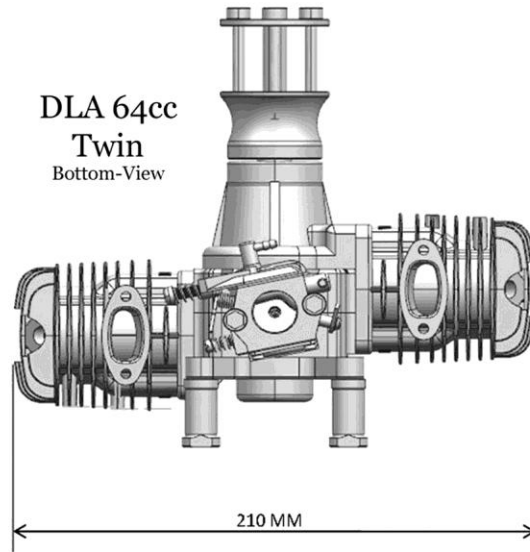
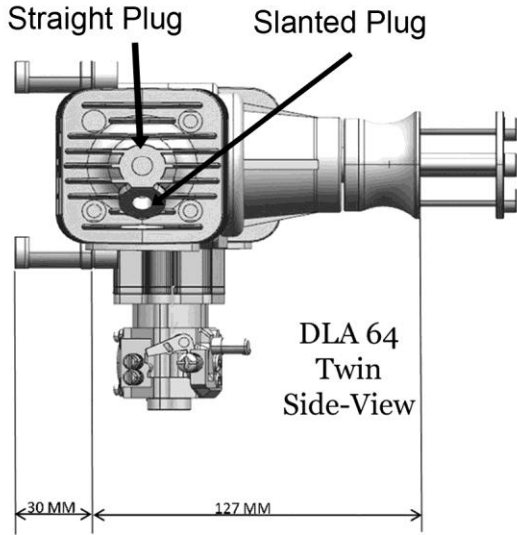
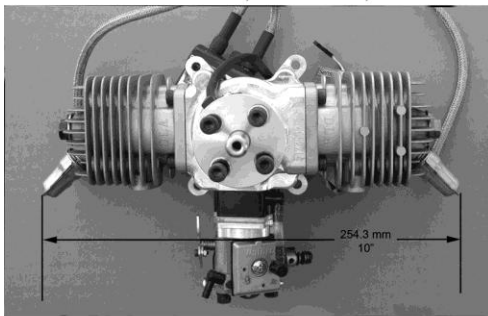


Technical Notes: DLA 64cc Gas Engine

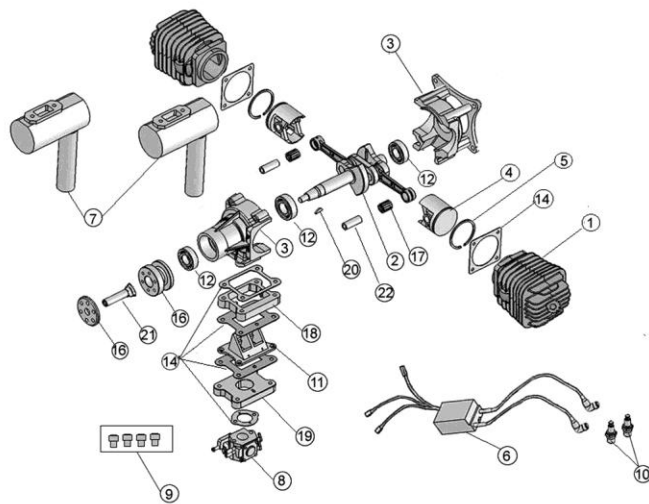


DLA 64cc Twin Gas Engine

Straight Plug Configuration:
Plug-Cap to Plug-Cap = 11-1/16"



Slant-Plug Configuration:
Plug-Cap to Plug-Cap = 10"



Specifications:

DLA 64cc (3.91 in³) Gas Engine

Power:	7.2 HP @ 8500 rpm
Displacement:	64 cc (3.91 in ³)
Idle Speed:	~ 1,400 rpm
Static Thrust:	34.4 pounds @ 100 m (~328 ft Altitude) (Pulling Force) 30.4 pounds @ 1800 m (~5,900 ft Altitude)
Propellers (Recommended):	22 x 10, 23 x 8, 23 x 10, 24 x 8
RPM Range:	~1300 to ~8600 rpm
Carburetor:	Walbro™, (Typ: WT-805), Diaphragm Pump
Spark Plug:	CM-6 Special
Plug Position (Configuration)	Straight in top; or 45° Slanted to bottom
Muffler Volume:	64 cc (3.91 in ³)
Cylinder Diameter (Bore)/ Stroke:	37.01 mm / 30 mm (1.457 in / 1.18 in)
Compression Ratio:	7.8 : 1
Gas	87 – 89 Octane, unleaded (“Regular”)
Gas : Oil Ratios:	30 – 40:1 Break-in Trial Run; 40 – 50 : 1 Normal Flying
Weights:	Engine: 57.1 oz, Muffler (2): 4.6 oz, Ignition: 6.3 oz (Total: 68.0 oz = 4.25 lbs)
Ignition:	Fully Advancing, Auto, <u>C</u> apacitive <u>D</u> ischarge <u>I</u> gnition
Ignition Power:	6.6 to 8.4 VDC, 2S – LiPo Un-regulated

Support Information:

Ignition Battery:	2-S, LiPo, (2,100 mAh Typical) un-regulated. 6-S, NiMH, (2,100 mAh Typical)
Break-in Propeller (Suggested)	23 x 8
Intake Manifold:	4-Leaf Reed Valve, V-Configuration
Items Included in Retail Pkg:	Engine, Muffler (2) / Gasket & Bolts, CD Ignition, Sparkplug (2), Stand-off Mounts (Machined), Operations Manual (On Website) Bolts–Mounting, Spiral-Nylon Wire Sleeve

DLA	Mount Dimensions		Mounting Bolts	Stand-Offs	Prop Bolts	Muffler Bolts
	X (mm)	Y (mm)				
64	61	73	5.0 x 0.8 - 20 mm	13 OD x 30 L mm	5.0 x 0.8 - 40 mm	5.8 x 0.8 - 16 mm

Suggested Items:

Gas Tank	
Fuel Point™	(From Golden Skies R/C)
Gas Line	(From Golden Skies R/C)
Ignition Kill Switch	(From Golden Skies R/C)
Propeller	
2-Cycle Oil	
Gas Line Filter	
Mounting Template	
Propeller Drill-bit Guide	(From Golden Skies R/C)
Torque Wrench	
Spinner	
Battery, Ignition	
Tachometer	